

FLOATING CONCRETE SINKS

30" PARADIGM FLOATING CONCRETE RAMP SINK

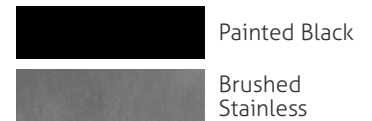
SKU: FLO-30-PARA

- Size: 30" x 18" x 3" / Sink ID: 20" x 13" x 5"
- This sink meets ADA Accessibility Guidelines
- 8 concrete color options
- Features a brushed stainless steel drain plate cover
- Grid drain and 6" tailpiece included in Polished Chrome - available in 2 other finishes
- 6" drain tailpiece included in Polished Chrome - available in 2 other finishes
- Standard Faucet & Soap Hole Configurations (customizable):
 - 0 Holes: wall-mount faucet
 - 1 single faucet hole or triple-hole set: centered on sink basin
 - Soap hole (optional): 5" minimum to left or right of faucet hole
 - Triple-hole set = 8" spread
 - Hole diameter = 1 3/8"
 - Hole(s) centered 2 1/4" off back of sink basin
- Sink does not have overflow hole
- Mounts to wall studs in minutes.
Refer to Paradigm Sink Mounting Instructions for more details.
- Handmade in the USA

CONCRETE COLORS



STEEL COLORS



Compliances & Certifications

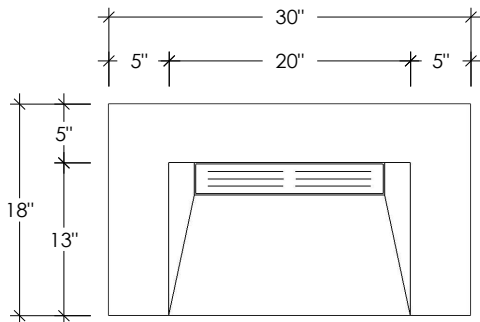


ICC A117.1

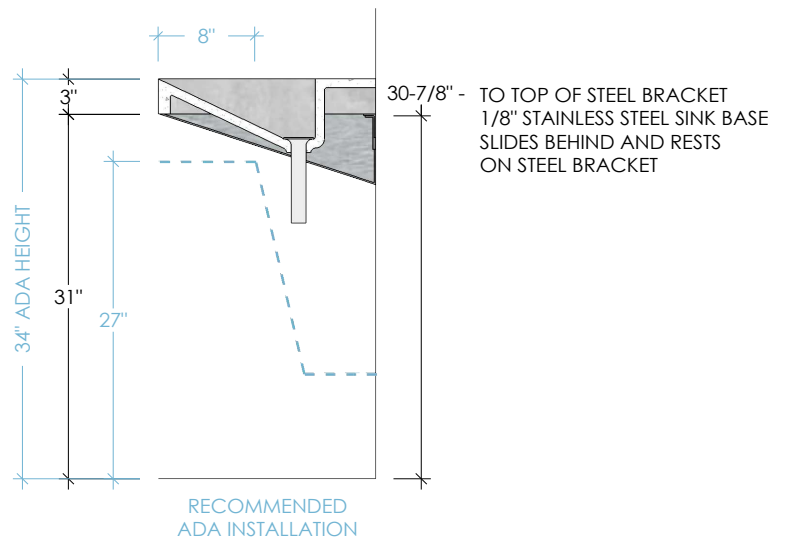


CSA B45/IAPMO Z403
ASME A112.18.2/CSA B125.2

PLAN VIEW



SECTION VIEW



REAR ELEVATION

