

## FLOATING CONCRETE SINKS

### 60" ADA FLOATING CONCRETE RAMP SINK

SKU: FLO-60V-ADA

- Size: 60" x 21" x 5" / R-4813 Sink ID: 48" x 13" x 5"
- This sink meets ADA Accessibility Guidelines
- 8 concrete color options
- 6" drain tailpiece included in Polished Chrome - available in 2 other finishes
- Standard Faucet & Soap Hole Configurations (customizable):
  - 0 Holes: wall-mount faucet
  - 1 single faucet hole or triple-hole set: centered on sink basin
  - 2 single faucet holes or triple-hole sets 30" apart (faucet spouts 9" in from sink basin walls)
  - Soap hole(s) (optional): 5" minimum to left or right of faucet hole(s)
  - Triple-hole set = 8" spread
  - Hole diameter = 1 3/8"
  - Hole(s) centered 2 1/4" off back of sink basin
- Sink does not have overflow hole
- Mounts to wall studs with 2 brackets (SKU: FSB-T, sold separately).  
*Refer to Bracket Mounting Instructions sheet for more details.*
- Handmade in the USA

#### CONCRETE COLORS

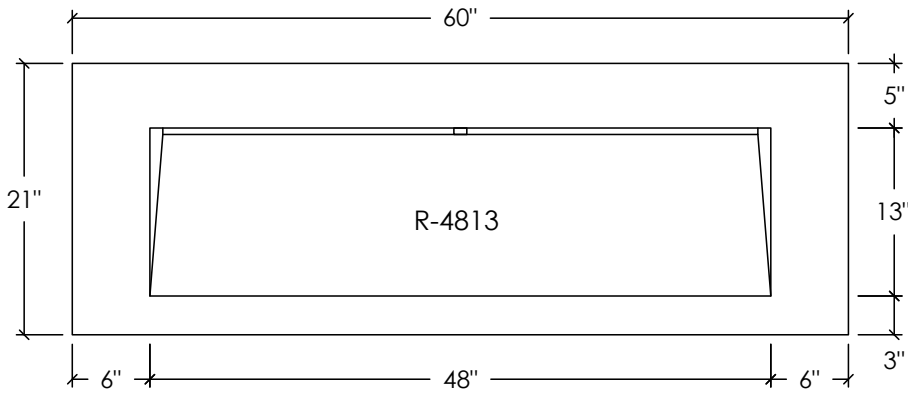


#### Compliances & Certifications

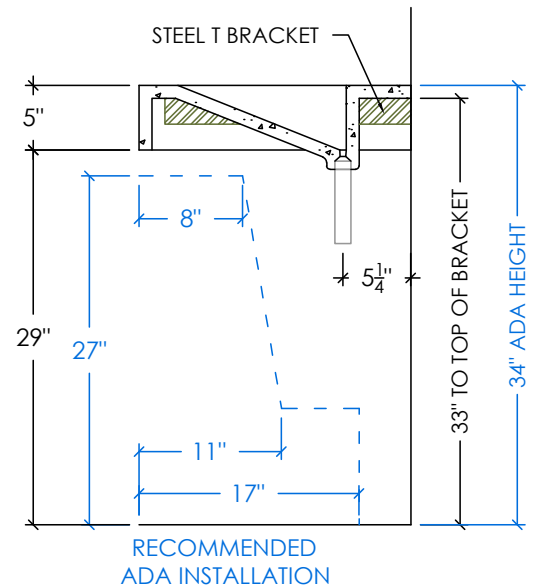


ICC A117.1

PLAN VIEW



RIGHT SECTION



REAR ELEVATION

