

FLOATING CONCRETE SINKS

60" ADA FLOATING CONCRETE DOUBLE RAMP SINK

SKU: FLO-60V-DBL-ADA

- Size: 60" x 21" x 5" / RC-2013 Sink ID: 20" x 13" x 5" each
- This sink meets ADA Accessibility Guidelines
- 8 concrete color options
- Features a pair of 20" ramp sinks
- Two 6" drain tailpieces included in Polished Chrome - available in 2 other finishes
- Standard Faucet & Soap Hole Configurations (customizable):
 - 0 Holes: wall-mount faucets
 - 2 single faucet holes or 2 triple-hole sets: 30" apart and centered on each sink basin
 - Soap hole(s) (optional): 5" minimum to left or right of faucet hole(s)
 - Triple-hole set = 8" spread
 - Hole diameter = 1 3/8"
 - Hole(s) centered 2 1/4" off back of sink basin
- Sinks do not have overflow holes
- Mounts to wall studs with 2 brackets (SKU: FSB-T, sold separately).
Refer to Bracket Mounting Instructions sheet for more details.
- Handmade in the USA

CONCRETE COLORS



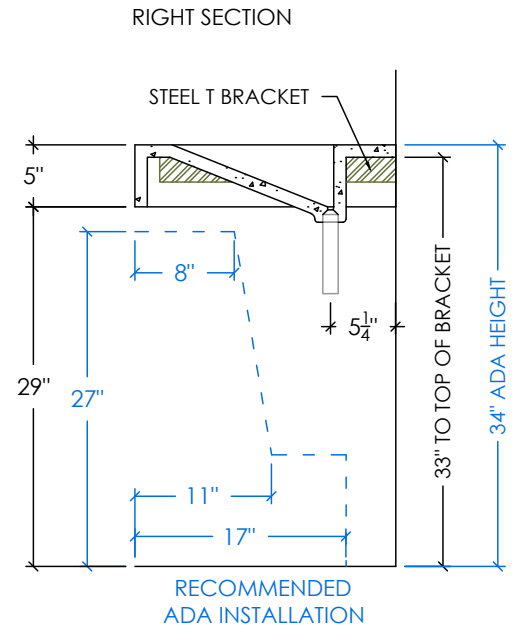
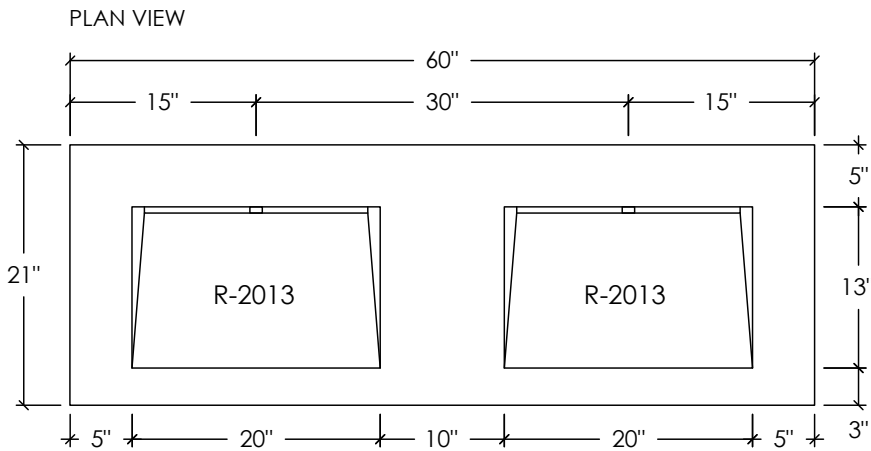
Compliances & Certifications



ICCA117.1



CSA B45/IAPMO Z403
ASME A112.18.2/CSA B125.2



REAR ELEVATION

