

FLOATING CONCRETE SINKS

72" ADA FLOATING CONCRETE RAMP SINK

SKU: FLO-72V-ADA

- Size: 72" x 21" x 5" / R-6013 Sink ID: 60" x 13" x 5"
- This sink meets ADA Accessibility Guidelines
- 8 concrete color options
- 6" drain tailpiece included in Polished Chrome - available in 2 other finishes
- Standard Faucet & Soap Hole Configurations (customizable):
 - 0 Holes: wall-mount faucet
 - 2 single faucet holes or triple-hole sets 36" apart (faucet spouts 12" in from sink basin walls)
 - Soap hole(s) (optional): 5" minimum to left or right of faucet hole(s)
 - Triple-hole set = 8" spread
 - Hole diameter = 1 3/8"
 - Hole(s) centered 2 1/4" off back of sink basin
- Sink does not have overflow hole
- Mounts to wall studs with 2 brackets (SKU: FSB-T, sold separately).
Refer to Bracket Mounting Instructions sheet for more details.
- Handmade in the USA

CONCRETE COLORS

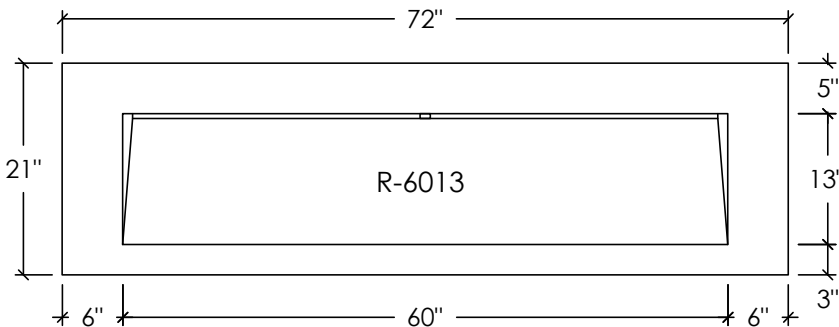


Compliances & Certifications

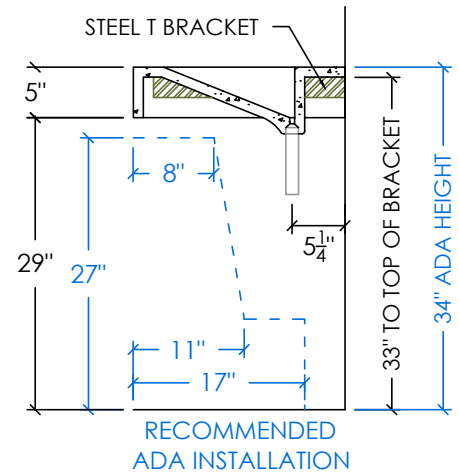


ICC A117.1

PLAN VIEW



RIGHT SECTION



REAR ELEVATION

