

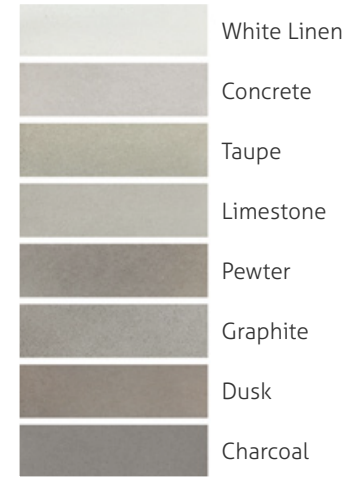
## FLOATING CONCRETE SINKS

### 90" CONTEMPO FLOATING CONCRETE TRIPLE RAMP SINK

SKU: FLO-90V-TPL-CONTEMPO

- Size: 90" x 18" x 3" / R-2013 Sink ID: 20" x 13" x 5" each
  - This sink meets ADA Accessibility Guidelines
  - 8 concrete color options
  - Features three 20" ramp sinks
  - Three 6" drain tailpieces included in Polished Chrome - available in 3 other finishes
  - Standard Faucet & Soap Hole Configurations (customizable):
    - 0 Holes: wall-mount faucets
    - 3 single faucet holes or 3 triple-hole sets: centered on each sink basin
    - Soap hole(s) (optional): 5" minimum to left or right of faucet hole(s)
    - Triple-hole set = 8" spread
    - Hole diameter = 1 3/8"
    - Hole(s) centered 2 1/4" off back of sink basin
  - Sinks do not have overflow holes
  - Mounts to wall with 4 brackets (SKU: FSB-L)
- Refer to Bracket Mounting Instructions sheet for more details.*
- Handmade in the USA

#### CONCRETE COLORS



#### Compliances & Certifications

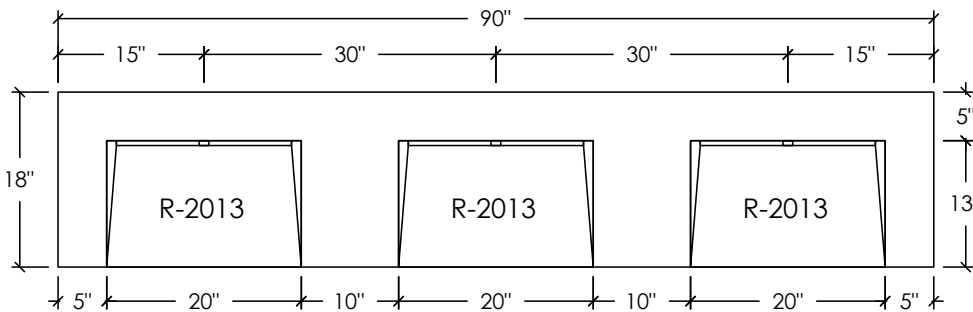


ICC A117.1

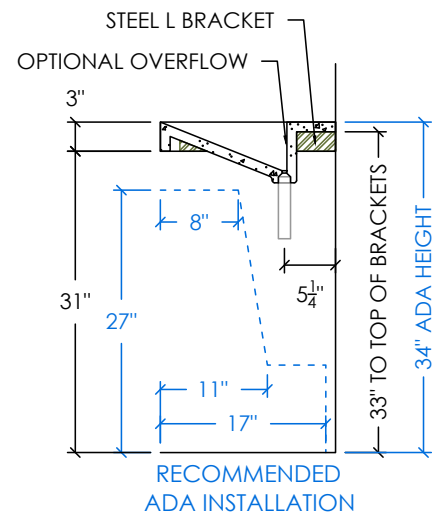


CSA B45/IAPMO Z403  
ASME A112.18.2/CSA B125.2

#### PLAN VIEW



#### RIGHT SECTION



#### REAR ELEVATION

