

INDUSTRIAL COLLECTION

30" INDUSTRIAL VANITY WITH CONCRETE RAMP SINK

SKU: IND-30V

- Size: 30" x 21" x 35" / R-2013 Sink ID: 20" x 13" x 5"
- 8 concrete color options and 3 metal finishes
- 6" tailpiece included in Polished Chrome - available in 2 other finishes
- Standard Faucet & Soap Hole Configurations (customizable):
  - 0 Holes: wall-mount faucet
  - 1 single faucet hole or triple-hole set: centered on sink basin
  - Triple-hole set = 8" spread
  - Hole diameter = 1 3/8"
  - Hole(s) centered 2 1/4" off back of sink basin
  - Soap hole (optional): 5" minimum to left or right of faucet hole
- Sink does not have overflow hole
- Handmade in the USA

CONCRETE COLORS



STEEL BASE FINISH

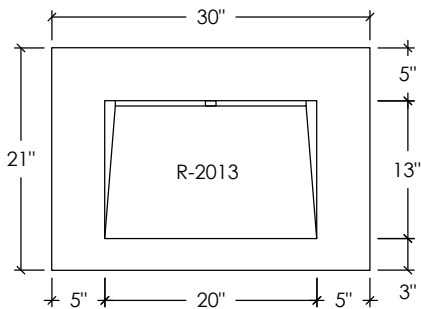


Compliances & Certifications

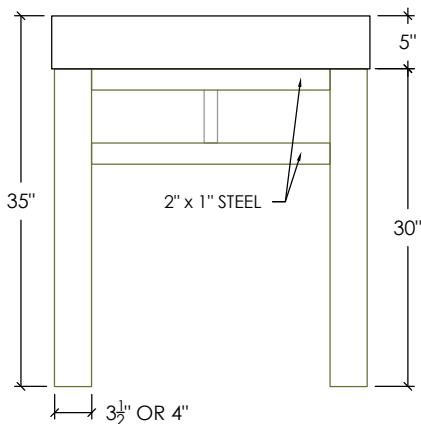


CSA B45/IAPMO Z403  
ASME A112.18.2/CSA B125.2

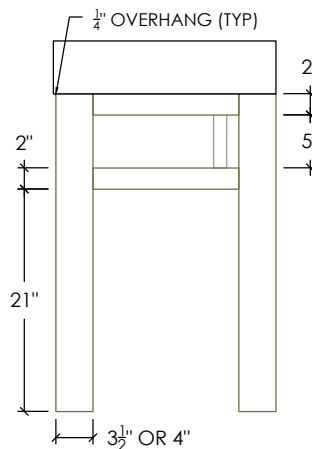
PLAN VIEW



FRONT ELEVATION



RIGHT ELEVATION



SECTION VIEW

