

INDUSTRIAL COLLECTION

36" INDUSTRIAL VANITY WITH CONCRETE HALF-TROUGH SINK

SKU: IND-36C

- Size: 36" x 21" x 35" / HT-2013 Sink ID: 20" x 13" x 5.5"
- 8 concrete color options and 3 metal finishes
- Grid drain and 6" tailpiece included in Polished Chrome - available in 2 other finishes
- Standard Faucet & Soap Hole Configurations (customizable):
 - 0 Holes: wall-mount faucet
 - 1 single faucet hole or triple-hole set: centered on sink basin
 - Triple-hole set = 8" spread
 - Hole diameter = 1 3/8"
 - Hole(s) centered 2 1/4" off back of sink basin
 - Soap hole (optional): 5" minimum to left or right of faucet hole
- Sink does not have overflow hole
- Handmade in the USA

CONCRETE COLORS



STEEL BASE FINISH

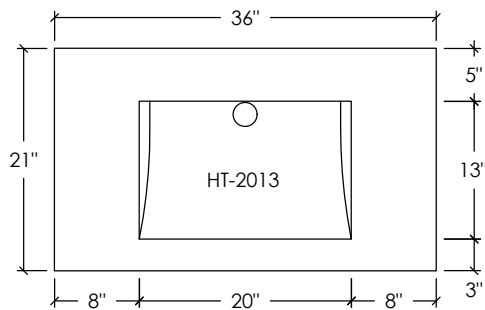


Compliances & Certifications

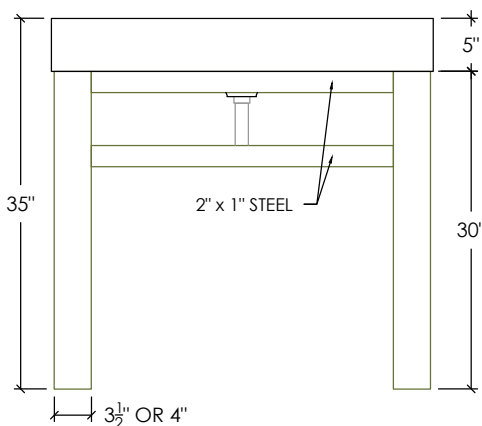


CSA B45/IAPMO Z403
ASME A112.18.2/CSA B125.2

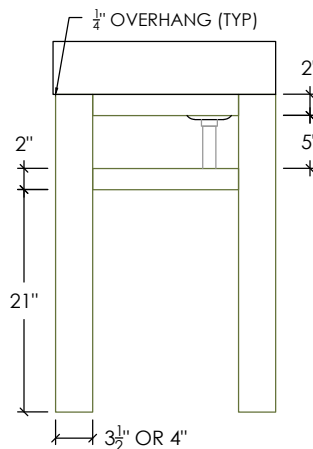
PLAN VIEW



FRONT ELEVATION



RIGHT ELEVATION



SECTION VIEW

