

INDUSTRIAL COLLECTION

60" INDUSTRIAL VANITY WITH CONCRETE DOUBLE RAMP SINK

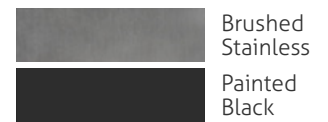
SKU: IND-60V-DBL

- Size: 60" x 21" x 35" / R-2013 Sink ID: 20" x 13" x 5"
- 8 concrete color options and 2 metal finishes
- Made with two 20" ramp sinks
- Two 6" tailpieces included in Polished Chrome - available in 3 other finishes
- Standard Faucet & Soap Hole Configurations (customizable):
 - 0 Holes: wall-mount faucet
 - 2 single faucet holes or triple-hole sets: 1 centered on each sink basin
 - Triple-hole set = 8" spread
 - Hole diameter = 1 3/8"
 - Hole(s) centered 2 1/4" off back of sink basin
 - Soap hole(s) (optional): 5" minimum to left or right of faucet hole(s)
- Overflow Hole Kits are optional (SKUs: OK-PC / OK-BN / OK-ORB)
- Handmade in the USA

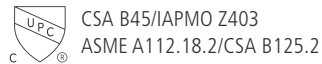
CONCRETE COLORS



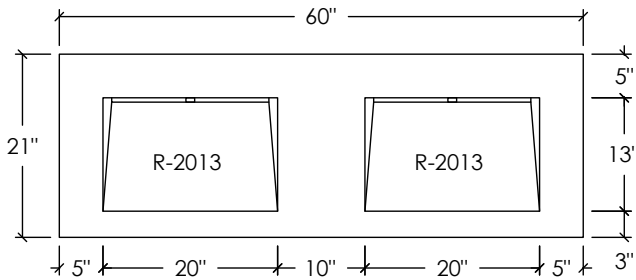
STEEL BASE FINISH



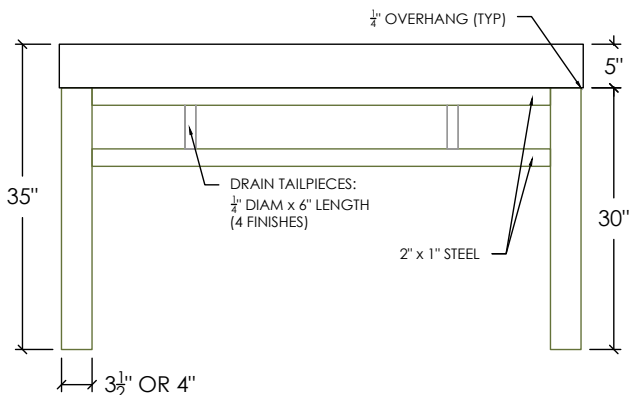
Compliances & Certifications



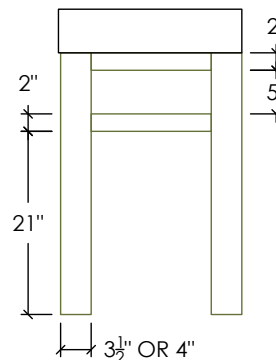
PLAN VIEW



FRONT ELEVATION



RIGHT ELEVATION



SECTION VIEW

