

LAVARE COLLECTION

24" LAVARE VANITY WITH CONCRETE HALF-TROUGH SINK

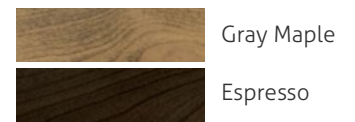
SKU: LAVARE-24C

- Size: 24" x 19" x 35" / HT-1614 Sink ID: 16" x 14" x 5.5"
- 8 concrete color options and 2 wood finishes
- Grid drain and 6" tailpiece included in Polished Chrome - available in 2 other finishes
- Standard Faucet Hole Configurations (customizable):
  - 0 Holes: wall-mount faucet
  - 1 single faucet hole or triple-hole set: centered on sink basin
  - Triple-hole set = 8" spread
  - Hole diameter = 1 3/8"
  - Hole(s) centered 2 1/4" off back of sink basin
- Sink does not have overflow hole
- Handmade in the USA

CONCRETE COLORS



WOOD VANITY FINISH

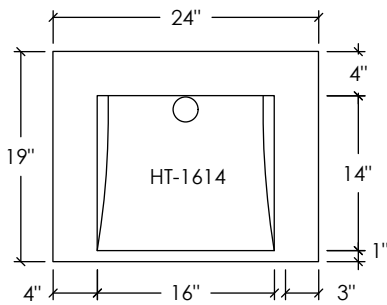


Compliances & Certifications

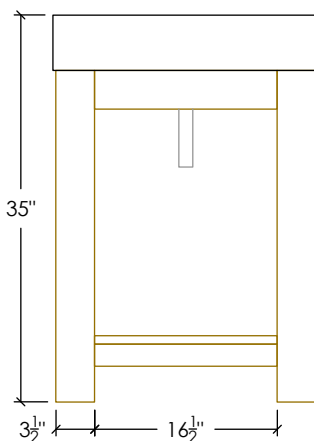


CSA B45/IAPMO Z403  
ASME A112.18.2/CSA B125.2

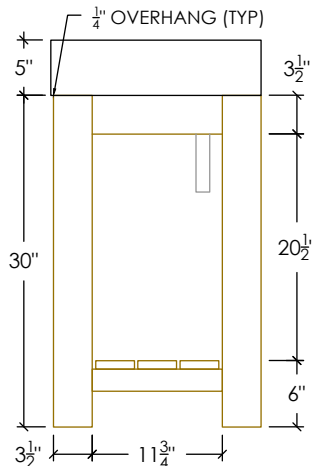
PLAN VIEW



FRONT ELEVATION



RIGHT ELEVATION



SECTION VIEW

