

CHELSEA TABLE COLLECTION

CHELSEA CONCRETE DINING TABLE

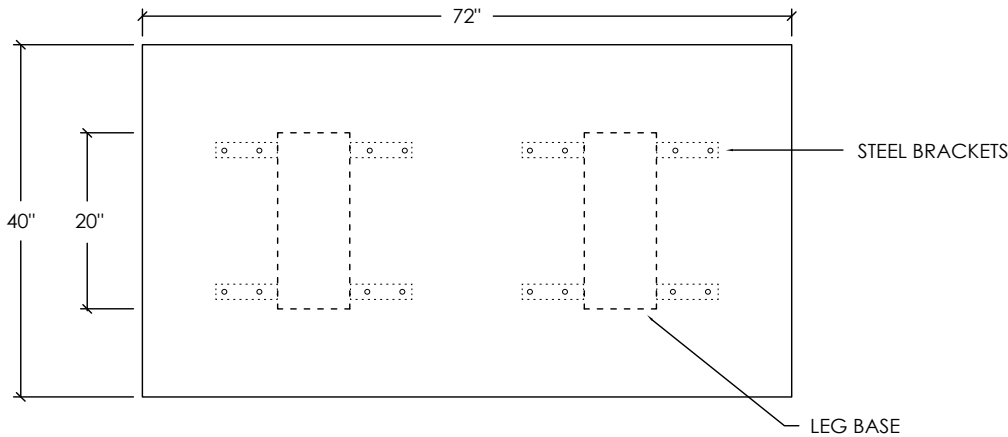
SKU: TBL-CHEL

- 8 concrete color options (for both table top and base)
- Table height is 30" / Leg clearance is 28"
- Concrete top is 1" thick with a 2" profile and a 3/4" hidden subdeck
- Concrete slab legs are hollow-cast concrete in our "Industrial" finish, displaying natural surface holes and variation
- Light assembly is required: top sub deck mounts to heavy-duty stainless steel brackets cast directly into the legs
- Top and legs treated with 3 coats of industrial-grade sealer
- Intended for indoor use. Outdoor available upon request.
- Handmade in the USA

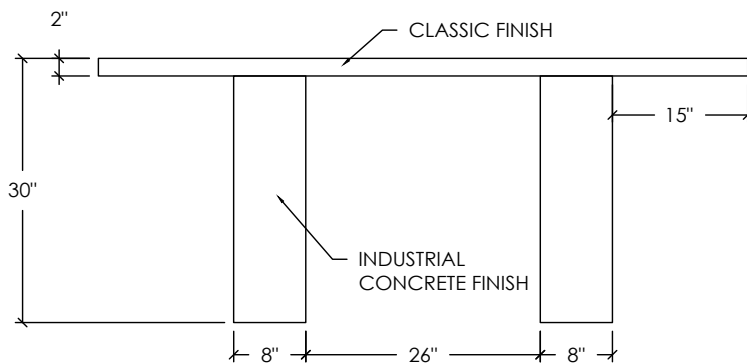
Table Sizes:

- 72" L X 40" W X 30"H / 15" overhang / Seats 6
- Inquire for custom sizes: 888.474.7977

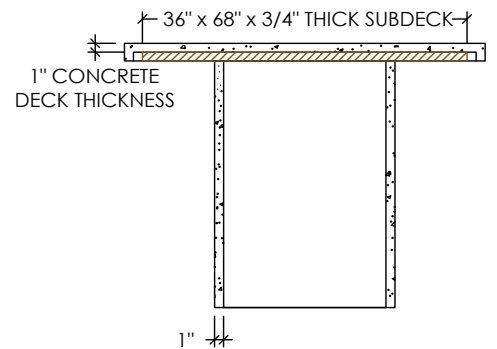
PLAN VIEW



FRONT ELEVATION



SECTION



Concrete Colors

