

ZEN COMMERCIAL COLLECTION

ZEN ADA 4-STATION COMMERCIAL CONCRETE WASHSTAND

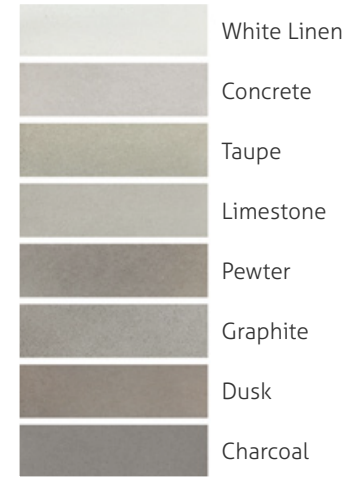
SKU: ZEN-128-110V-ADA

- Overall dimensions: 128" x 22" x 34" / R-11012 Sink ID: 110" x 12" x 5" deep (at drain)
- Accommodates up to 4 wash stations
- Fully ADA compliant
- Stand is a sturdy, welded 3.5" tube-steel frame coated in durable black-painted finish
- Built-in leg levelers ensure system rests evenly on floor
- Ramp slopes to dual drains
- 6" tailpieces included included in Polished Chrome - 3 other finishes available
- Optional under-mounted hooks for hanging bags or purses (between each wash station)
- Available in 8 standard concrete colors
- Sink does not have overflow hole
- Hand-built by skilled craftsmen in the USA

Standard Faucet & Soap Hole Configurations (customizable):

- Choose number of faucets (0 or 4) and faucet hole type (0-hole, single-hole, or triple-hole)
 - 4 single or triple-hole faucets set 30" apart (outer spouts sets 10" in from left and right edges of sink basin)
 - Triple-hole set = 8" spread
 - Hole diameter = 1 3/8"
 - Hole(s) centered 2 1/4" off back of sink basin
 - Soap hole(s) (optional): 5" minimum to left or right of faucet hole(s)
 - Soap hole diameter = 1 3/8"
- ZEN sinks can be paired with fixtures from numerous manufacturers

CONCRETE COLORS



STEEL BASE FINISH



Compliances & Certifications

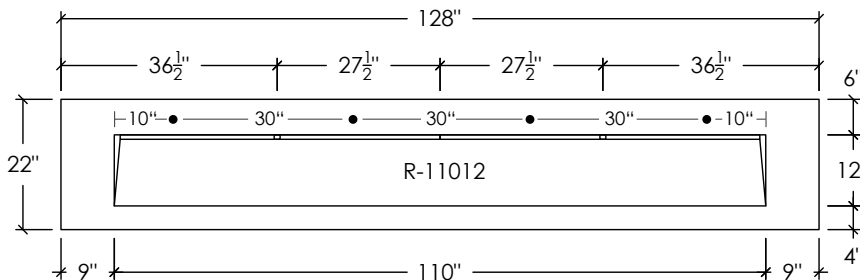


CSA B45/IAPMO Z403
ASME A112.18.2/CSA B125.2



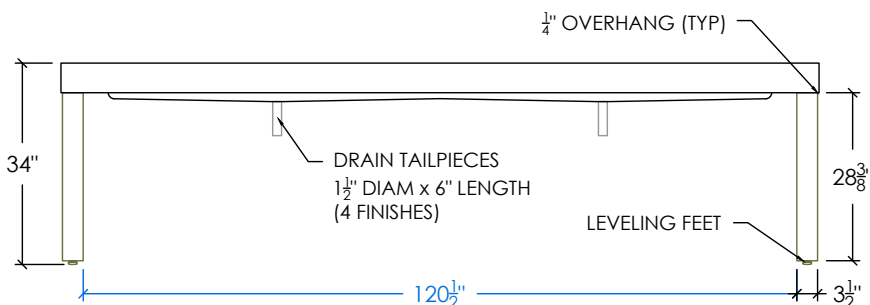
ICC A117.1

PLAN VIEW



• Optional Faucet Holes

FRONT ELEVATION



RIGHT SECTION

