

SPECIFICATIONS

SINK BASIN:

- SINK MODEL #: R-1812 = 18" x 12" x 5"
- COMPLIANCE & CERTIFICATIONS:

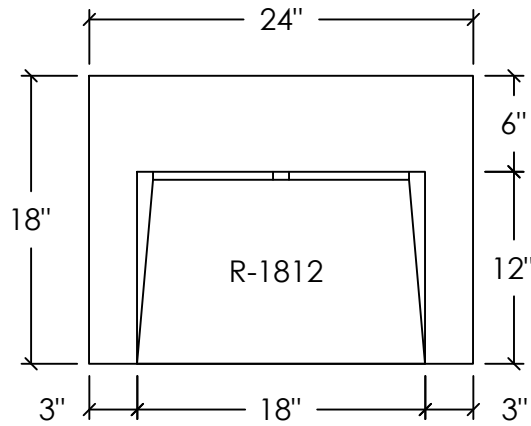


CSA B45.8/IAPMO Z403
ASME A112.18.2/CSA B125.2

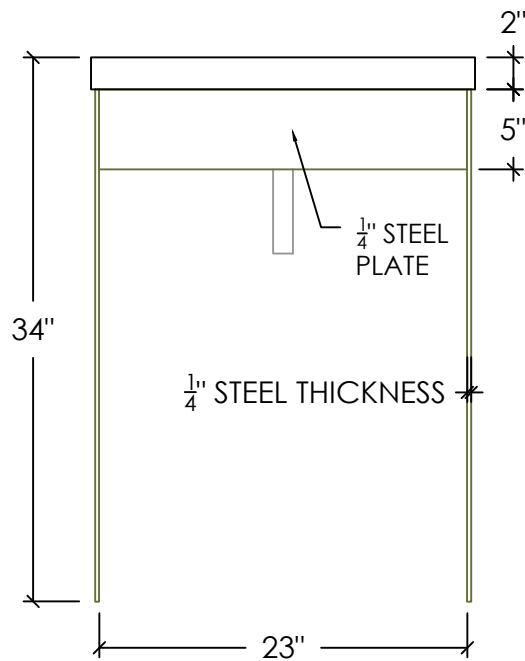
STANDARD FAUCET HOLE CONFIGURATIONS (CUSTOMIZABLE):

- 0 HOLES - WALL-MOUNT FAUCET
- 1 SINGLE FAUCET HOLE OR TRIPLE HOLE SET CENTERED ON SINK BASIN
- TRIPLE HOLE SET = 8" SPREAD
- HOLE DIAMETER = 1 3/8"
- HOLE(S) CENTERED 2 1/4" OFF OF BACK OF SINK BASIN

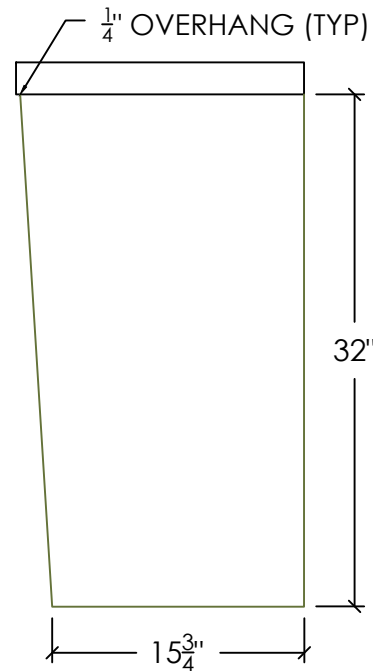
PLAN VIEW



FRONT ELEVATION



RIGHT ELEVATION



SECTION VIEW

