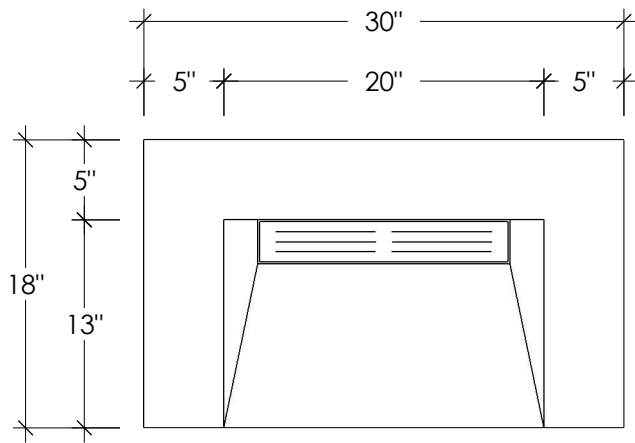
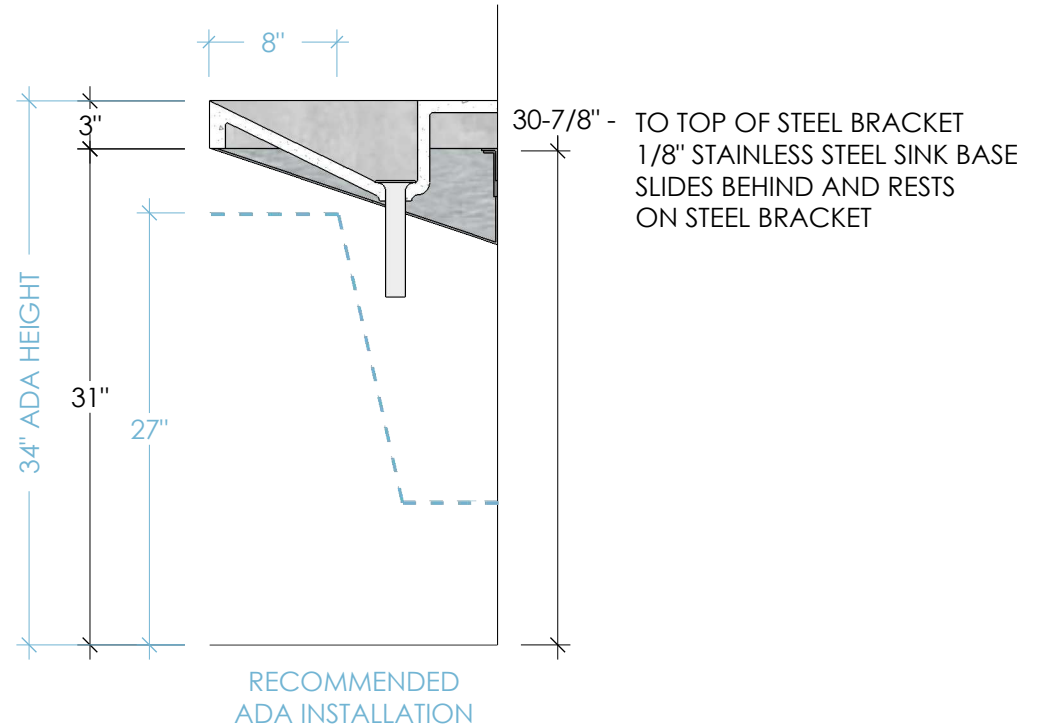


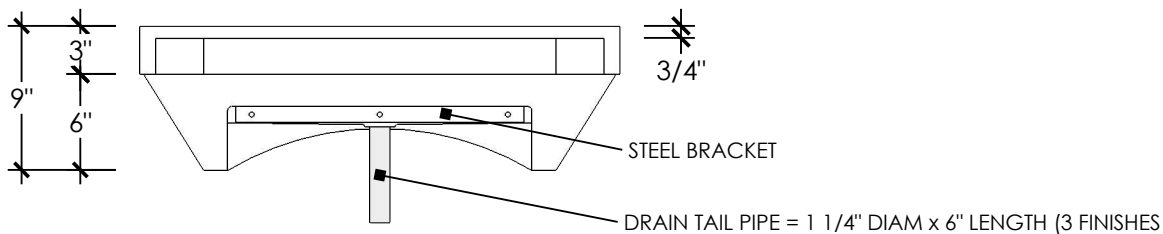
PLAN VIEW



SECTION VIEW



REAR ELEVATION



FAUCET HOLES (OPTIONAL)
<p>SPECS:</p> <ul style="list-style-type: none"> - FAUCET HOLE DIAM = 1 3/8" - CENTER OF HOLE(S) = 2 1/4" OFF OF BACK OF SINK BASIN - TRIPLE HOLE SET = 8" SPREAD - INNER SINK DIMENSIONS: 20" x 13" x 5"
<p>STANDARD OPTIONS:</p> <ul style="list-style-type: none"> - NO HOLES - WALL MOUNT FAUCET - 1 SINGLE FAUCET HOLE CENTERED ON SINK BASIN - 1 TRIPLE FAUCET HOLE SET CENTERED ON SINK BASIN

SCALE: 1" = 12"



30" PARADIGM FLOATING CONCRETE RAMP SINK

Date: 02-02-17

SKU: FLO-30-PARA

All Designs © TRUEFORM CONCRETE, LLC. All Rights Reserved. Not for Publication.

Drawn by: DA