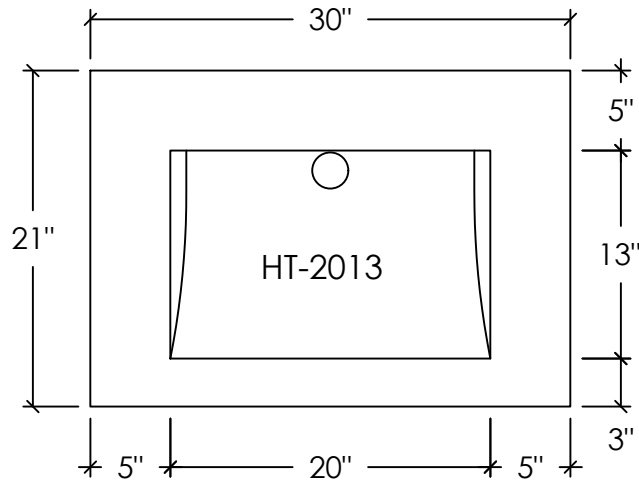
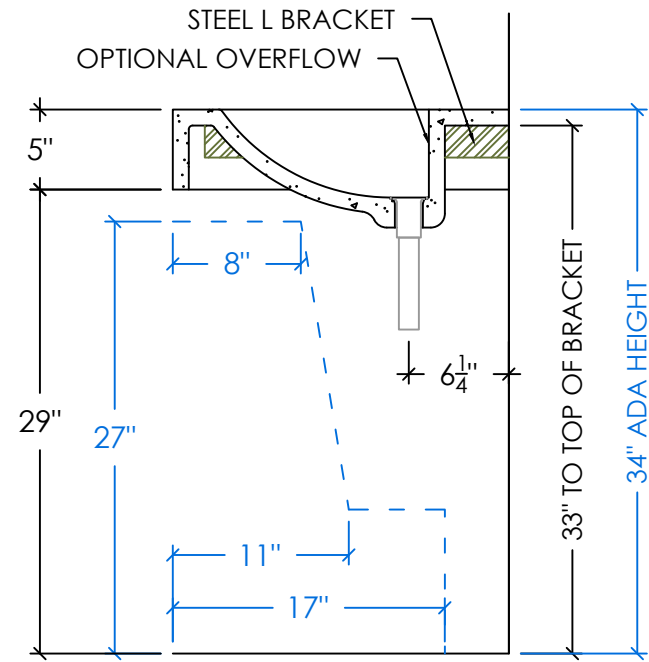


PLAN VIEW



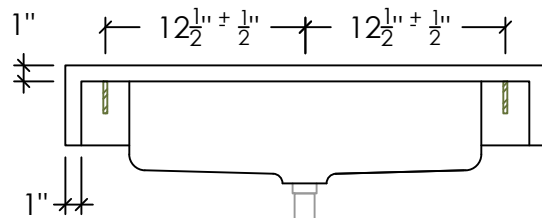
RIGHT SECTION



RECOMMENDED ADA INSTALLATION

REAR ELEVATION

L BRACKET LOCATION RANGE (SEE BRACKET MOUNTING INSTRUCTIONS)



GRID DRAIN ASSEMBLY:  
TAILPIECE = 1 1/4" DIAM x 6" LENGTH  
(4 FINISHES)

**SPECIFICATIONS**

**SINK BASIN:**

- SINK MODEL #: HT-2013 = 20" x 13" x 5 1/2"
- COMPLIANCE & CERTIFICATIONS:



CSA B45.8/IAPMO Z403  
ASME A112.18.2/CSA B125.2  
CODE = HT-ST-1-1-30x21-(C)-(O)



ICC A117.1

**STANDARD FAUCET & SOAP HOLE CONFIGURATIONS (CUSTOMIZABLE):**

- 0 HOLES - WALL-MOUNT FAUCET
- 1 SINGLE FAUCET HOLE OR TRIPLE HOLE SET CENTERED ON SINK BASIN
- SOAP HOLE 5" MINIMUM TO LEFT OR RIGHT OF FAUCET HOLE
- TRIPLE HOLE SET = 8" SPREAD
- HOLE DIAMETER = 1 3/8"
- HOLE(S) CENTERED 2 1/4" OFF OF BACK OF SINK BASIN
- OPTIONAL OVERFLOW ASSEMBLY (D-OK-125) CENTERED ON REAR BASIN WALL