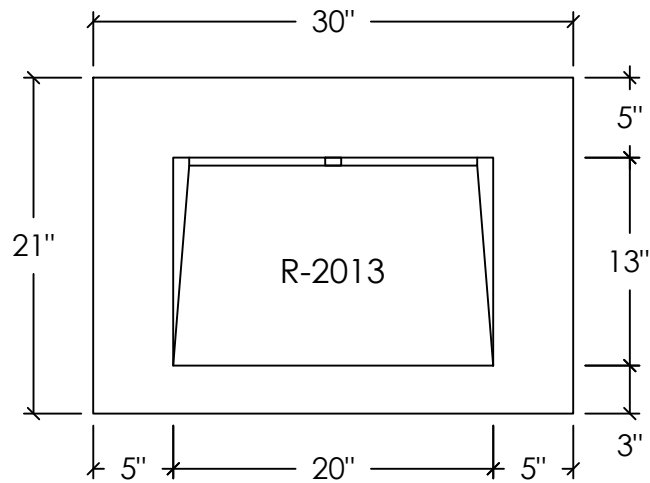
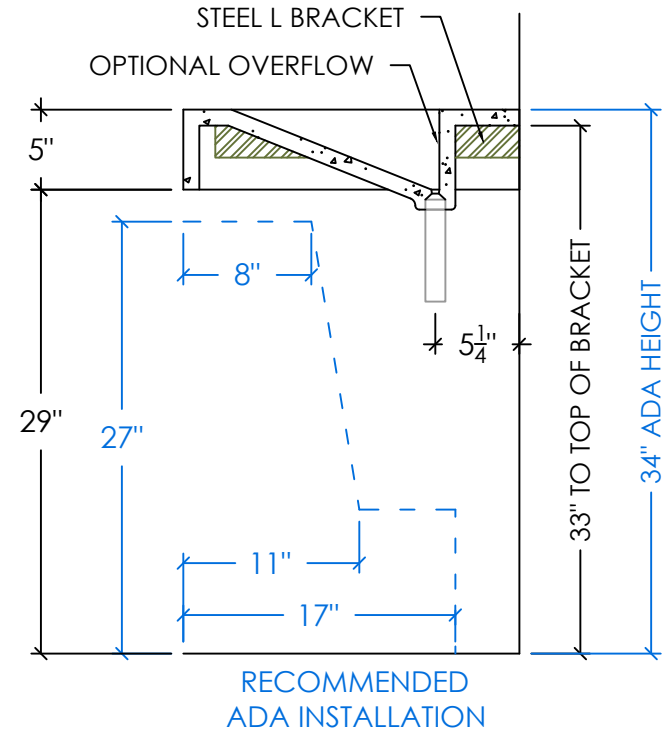


PLAN VIEW

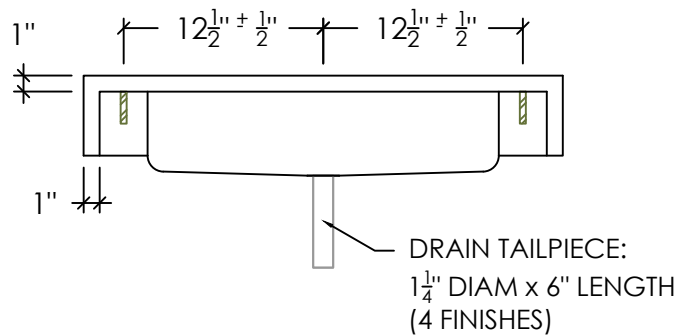




RIGHT SECTION



REAR ELEVATION

L BRACKET LOCATION RANGE (SEE BRACKET MOUNTING INSTRUCTIONS)



SPECIFICATIONS		
<b>SINK BASIN:</b>		
- SINK MODEL #: R-2013 = 20" x 13" x 5"		
- COMPLIANCE & CERTIFICATIONS:		
	CSA B45.8/IAPMO Z403 ASME A112.18.2/CSA B125.2 CODE = R-SL-1-1-30x21-(C)-(O)	 ICC A117.1
<b>STANDARD FAUCET &amp; SOAP HOLE CONFIGURATIONS (CUSTOMIZABLE):</b>		
- 0 HOLES - WALL-MOUNT FAUCET		
- 1 SINGLE FAUCET HOLE OR TRIPLE HOLE SET CENTERED ON SINK BASIN		
- SOAP HOLE 5" MINIMUM TO LEFT OR RIGHT OF FAUCET HOLE		
- TRIPLE HOLE SET = 8" SPREAD		
- HOLE DIAMETER = 1 3/8"		
- HOLE(S) CENTERED 2 1/4" OFF OF BACK OF SINK BASIN		
- OPTIONAL OVERFLOW ASSEMBLY (D-OK-125) CENTERED ON REAR BASIN WALL		
SCALE: 1" = 12"	All Designs © TRUEFORM CONCRETE, LLC All Rights Reserved. Not for Publication.	DATE: 12-23-20
PAGE: 1 OF 1		DRAWN BY: DA