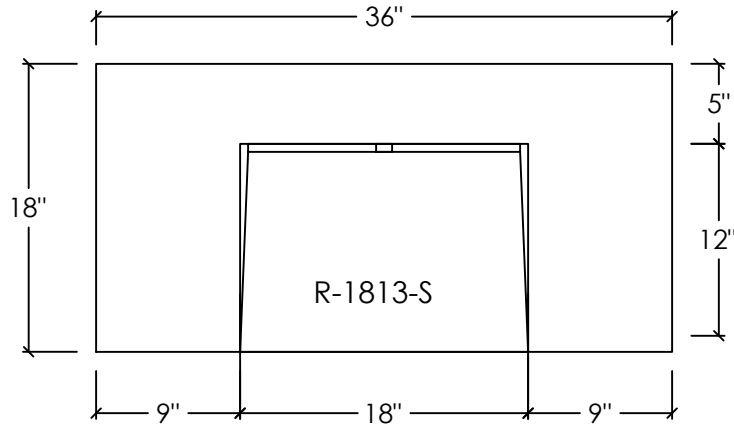
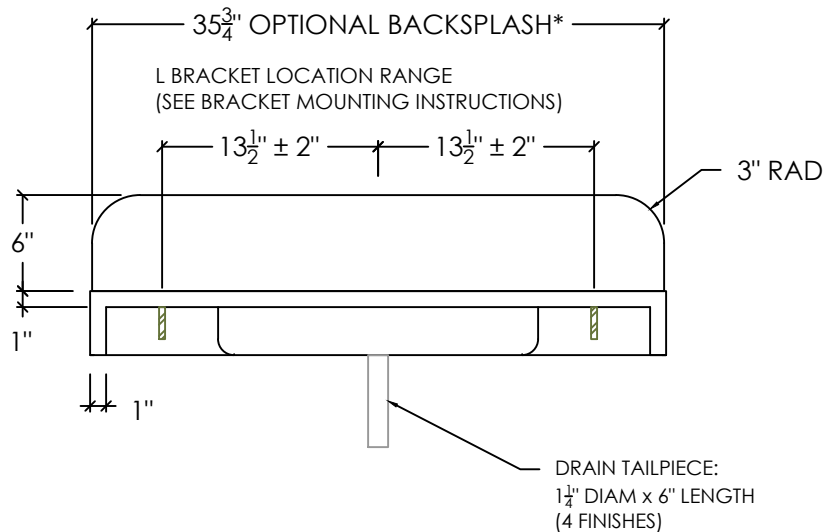


PLAN VIEW

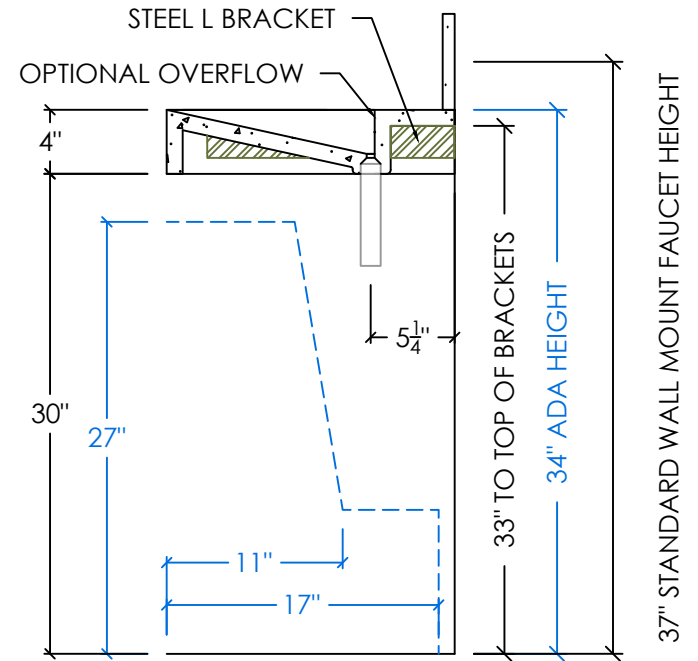


REAR ELEVATION



<sup>3</sup>/<sub>4</sub>" OPTIONAL BACKSPLASH

RIGHT SECTION



RECOMMENDED  
ADA INSTALLATION

SPECIFICATIONS

SINK BASIN:

- SINK MODEL #: R-1813-S = 18" x 13" x 3"
- COMPLIANCE & CERTIFICATIONS:



CSA B45.8/IAPMO Z403  
ASME A112.18.2/CSA B125.2  
CODE = R-SL-1-1-36x18-(C)-(O)



ICC A117.1

STANDARD FAUCET & SOAP HOLE CONFIGURATIONS (CUSTOMIZABLE):

- 0 HOLES - WALL-MOUNT FAUCET
  - 1 SINGLE FAUCET HOLE OR TRIPLE HOLE SET CENTERED ON SINK BASIN
  - SOAP HOLE 5" MINIMUM TO LEFT OR RIGHT OF FAUCET HOLE
  - TRIPLE HOLE SET = 8" SPREAD
  - HOLE DIAMETER = 1 3/8"
  - HOLE(S) CENTERED 2 1/4" OFF OF BACK OF SINK BASIN
  - OPTIONAL OVERFLOW ASSEMBLY (D-OK-125) CENTERED ON REAR BASIN WALL
- \* CONTACT SALES (973-343-5223) FOR BACKSPLASH FAUCET INFO