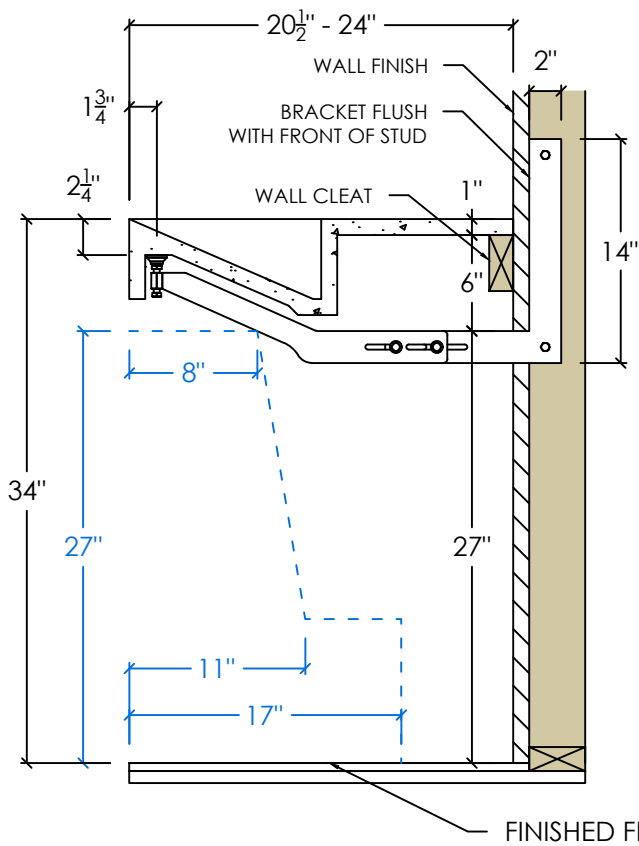
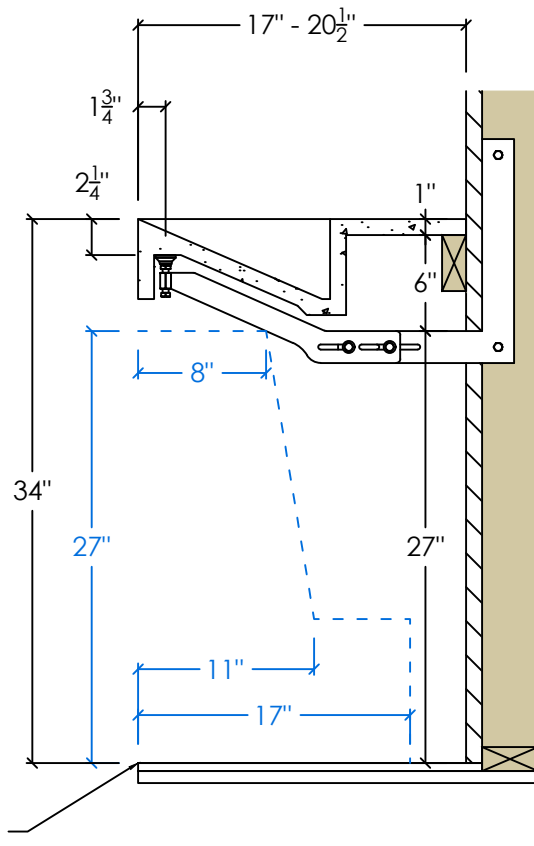


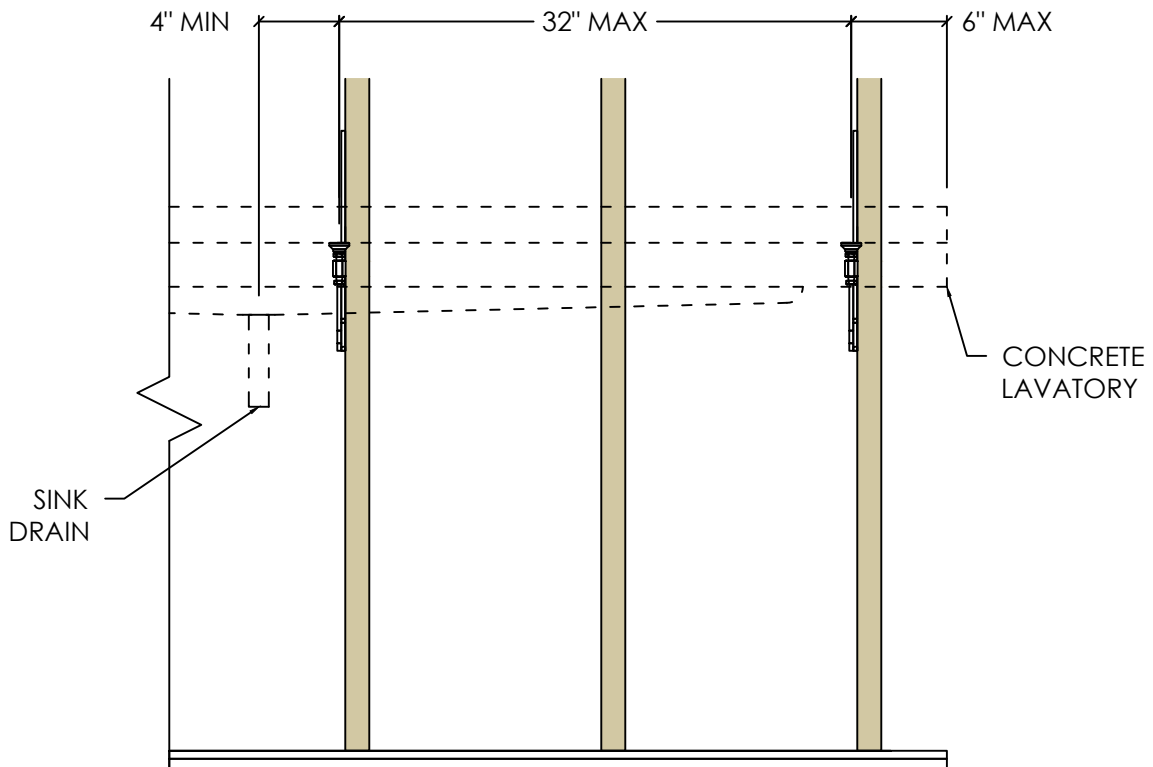
FSB-B1-AL



FSB-B1-AS

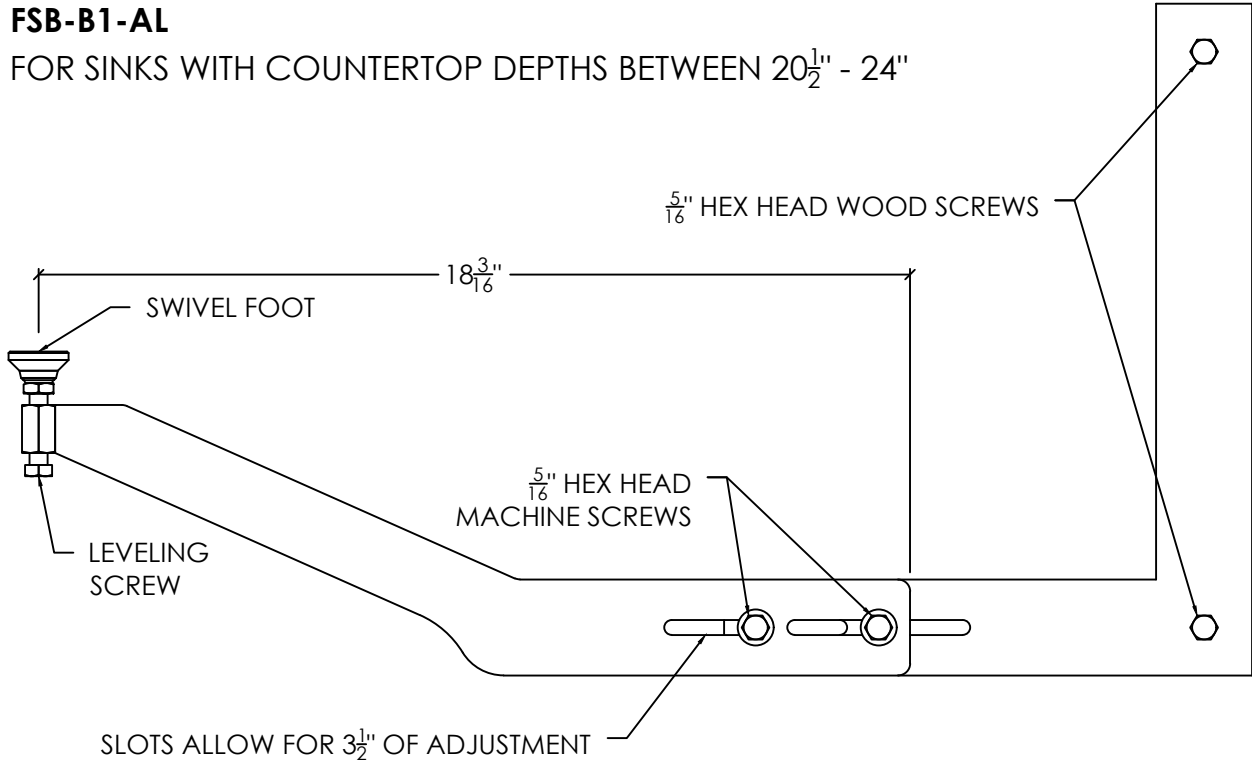


LATERAL SPACING REQUIREMENTS



FSB-B1-AL

FOR SINKS WITH COUNTERTOP DEPTHS BETWEEN 20 $\frac{1}{2}$ " - 24"



FSB-B1-AS

FOR SINKS WITH COUNTERTOP DEPTHS BETWEEN 17" - 20 $\frac{1}{2}$ "

