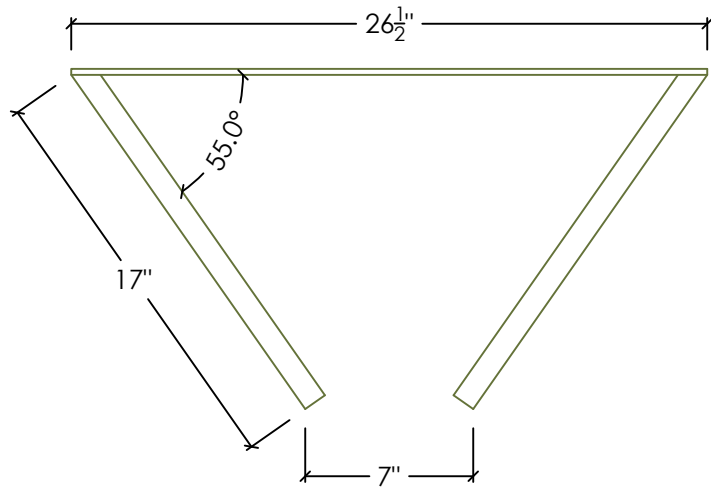


PLAN VIEW



ELEVATION

