

**SPECIFICATIONS**

**SINK BASIN:**

- SINK MODEL #: R-4813 = 48" x 13" x 5"

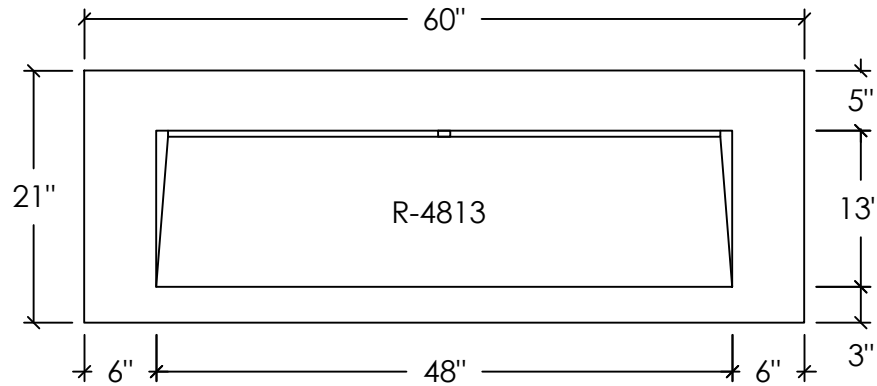
**STANDARD FAUCET & SOAP HOLE CONFIGURATIONS (CUSTOMIZABLE):**

- 0 HOLES - WALL-MOUNT FAUCET
- 1 SINGLE FAUCET HOLE OR TRIPLE HOLE SET:  
CENTERED ON SINK BASIN
- 2 SINGLE FAUCET HOLES OR TRIPLE HOLE SETS:  
CENTERED 10" IN FROM LEFT AND RIGHT OF SINK BASIN
- SOAP HOLE 5" MINIMUM TO LEFT OR RIGHT OF FAUCET HOLE
- TRIPLE HOLE SET = 8" SPREAD
- HOLE DIAMETER = 1 3/8"
- HOLE(S) CENTERED 2 1/4" OFF OF BACK OF SINK BASIN

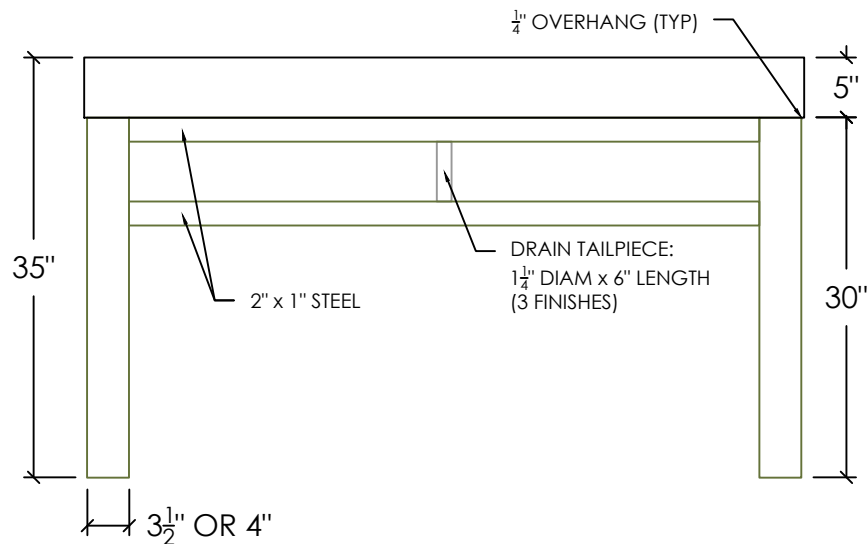
**METAL BASE:**

- PAINTED BLACK = 3 1/2" TUBE STEEL
- INDUSTRIAL PATINA = 3 1/2" TUBE STEEL
- BRUSHED STAINLESS STEEL = 4" TUBE STEEL

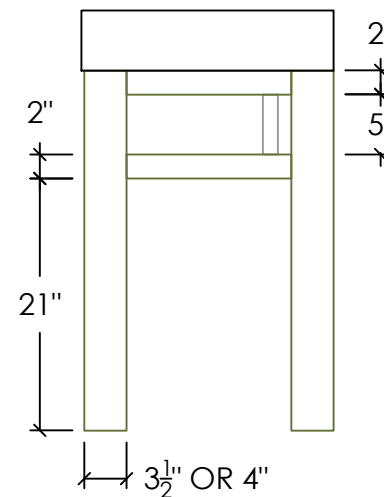
PLAN VIEW



FRONT ELEVATION



RIGHT ELEVATION



SECTION VIEW

