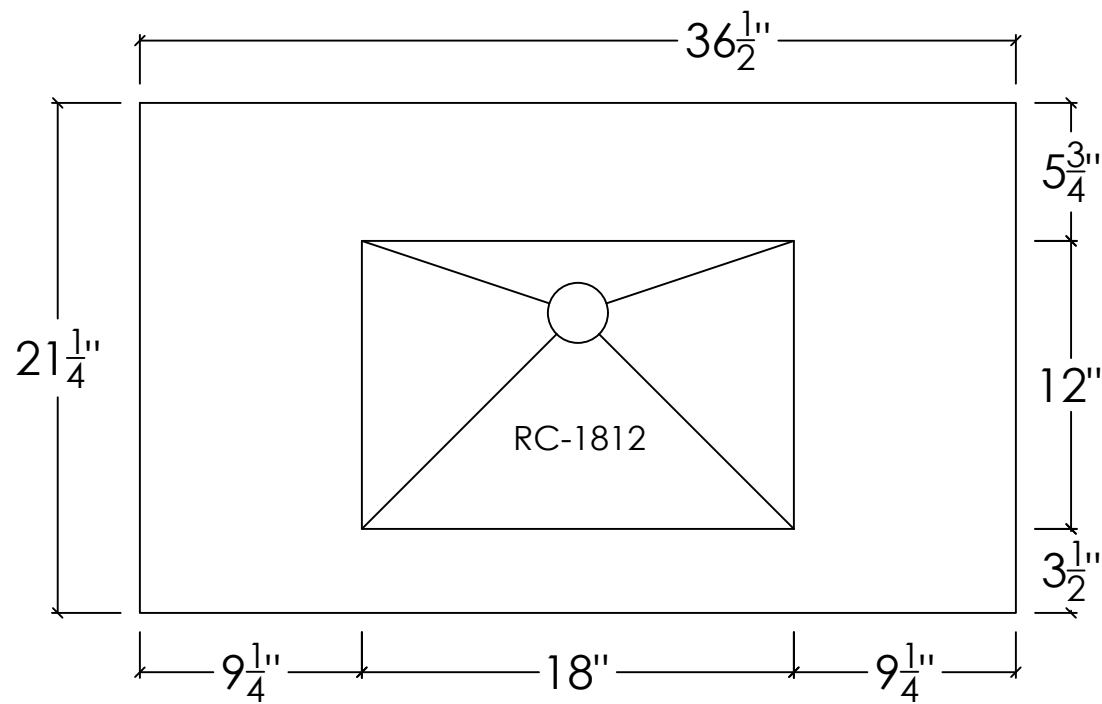
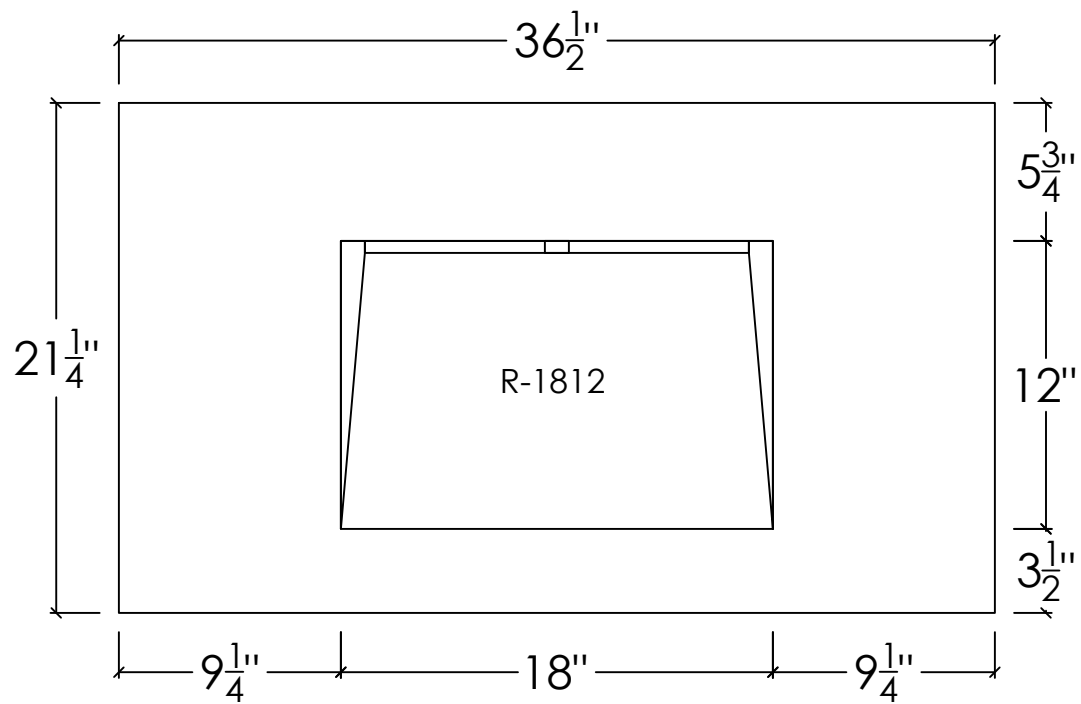



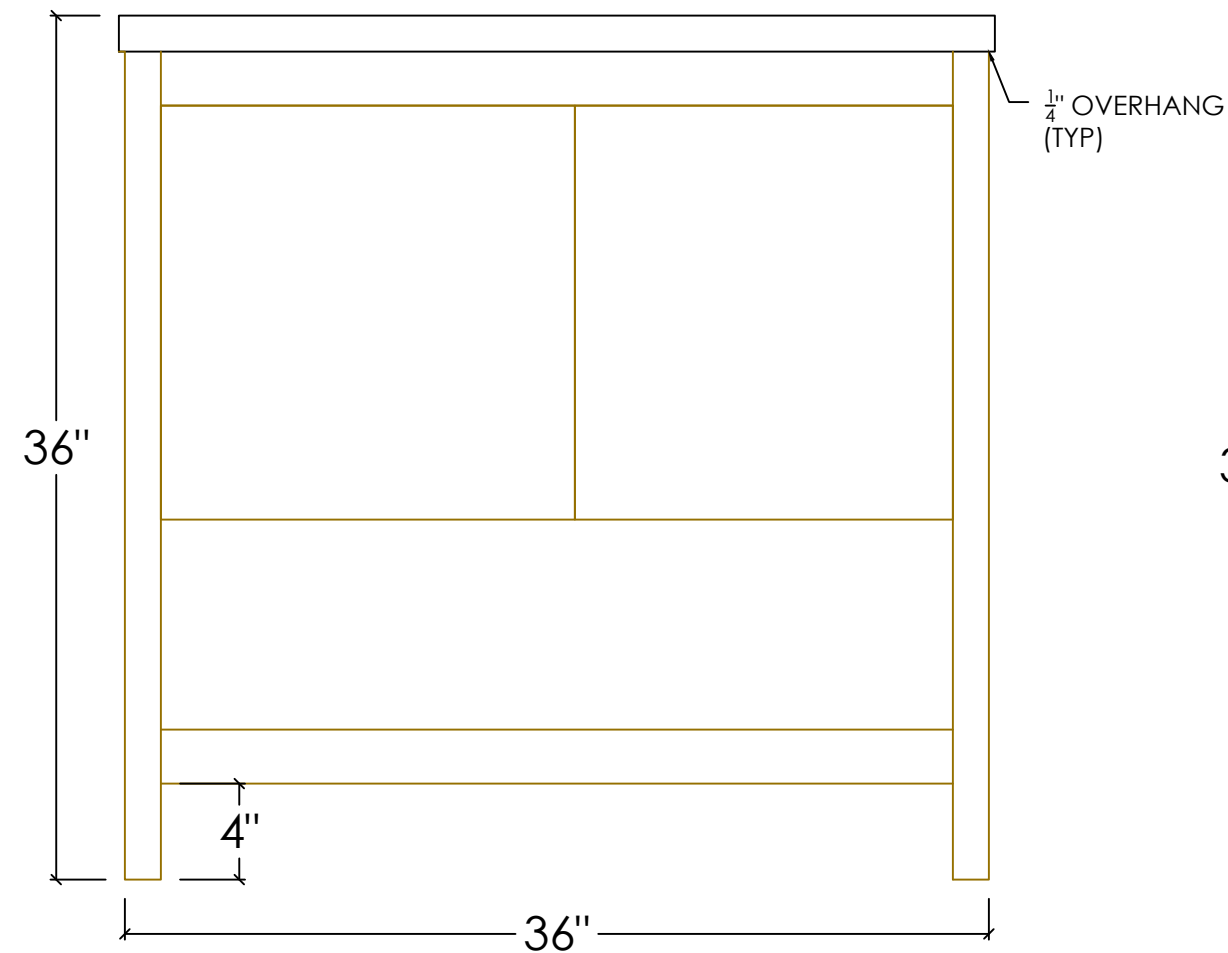
PLAN VIEW



SPECIFICATIONS	
SINK BASIN:	
- SINK MODEL #:	R-1812 = 18" x 12" x 5" OR RC-1812 = 18" x 12" x 5"
- COMPLIANCE & CERTIFICATIONS:	
	CSA B45.8/IAPMO Z403 ASME A112.18.2/CSA B125.2 CODE = R-SL-1-1-37-21-(C)-(O) (R-1812) RC-ST-1-1-37-21-(C)-(O) (RC-1812)

- STANDARD FAUCET & SOAP HOLE CONFIGURATIONS (CUSTOMIZABLE):**
- 0 HOLES - WALL-MOUNT FAUCET
 - 1 SINGLE FAUCET HOLE OR TRIPLE HOLE SET CENTERED ON SINK BASIN
 - TRIPLE HOLE SET = 8" SPREAD
 - HOLE DIAMETER = 1 3/8"
 - HOLE(S) CENTERED 2 1/4" OFF OF BACK OF SINK BASIN
 - OPTIONAL OVERFLOW ASSEMBLY (D-OK-125) CENTERED ON REAR BASIN WALL

FRONT ELEVATION



RIGHT SECTION

