

**SPECIFICATIONS**

**SINK BASIN:**

- SINK MODEL #: R-1812 = 18" x 12" x 5" OR RC-1812 = 18" x 12" x 5"

**COMPLIANCE & CERTIFICATIONS:**

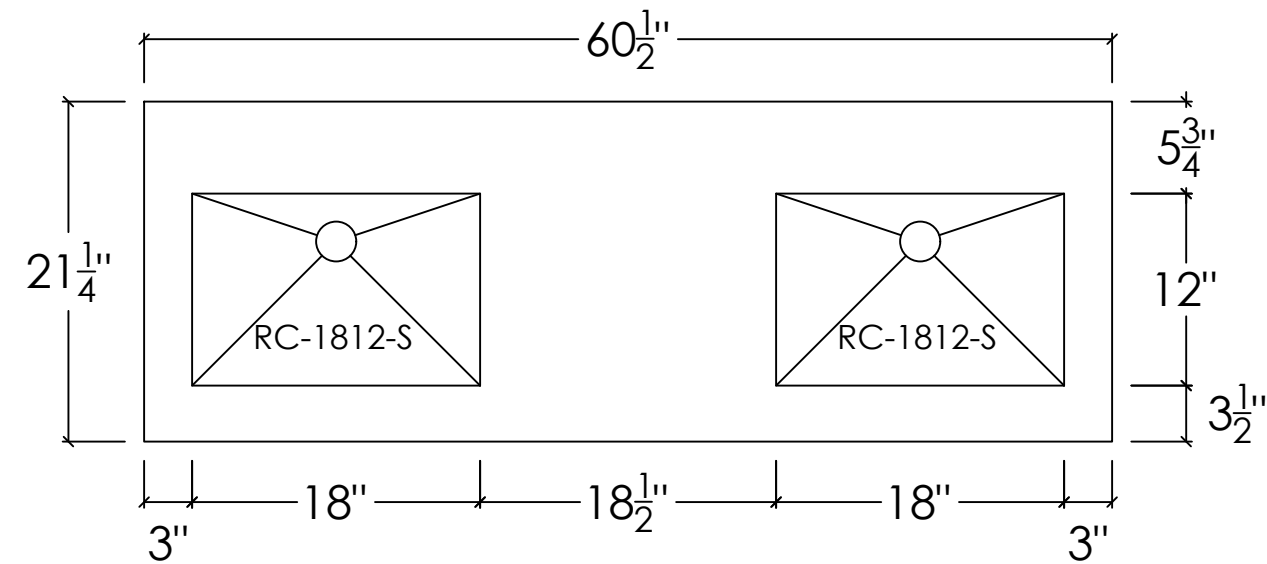
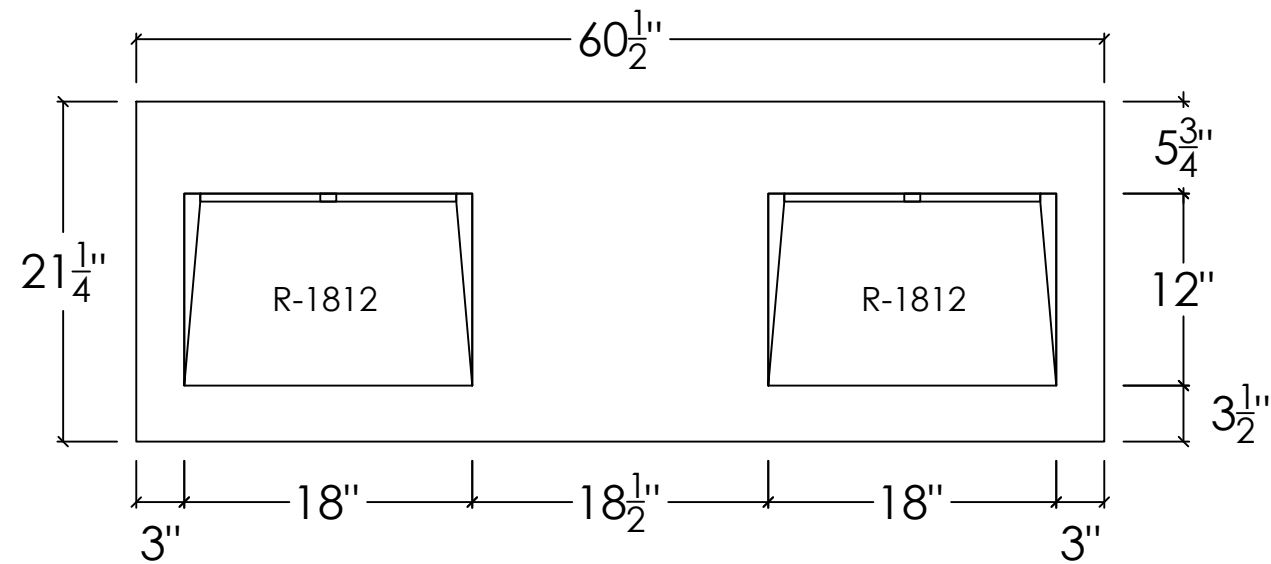


CSA B45.8/IAPMO Z403  
 ASME A112.18.2/CSA B125.2  
 CODE = R-R-SL-2-2-61x21-(C)-(O) (R-1812)  
 RC-RC-ST-2-2-61x21-(C)-(O) (RC-1812-S)

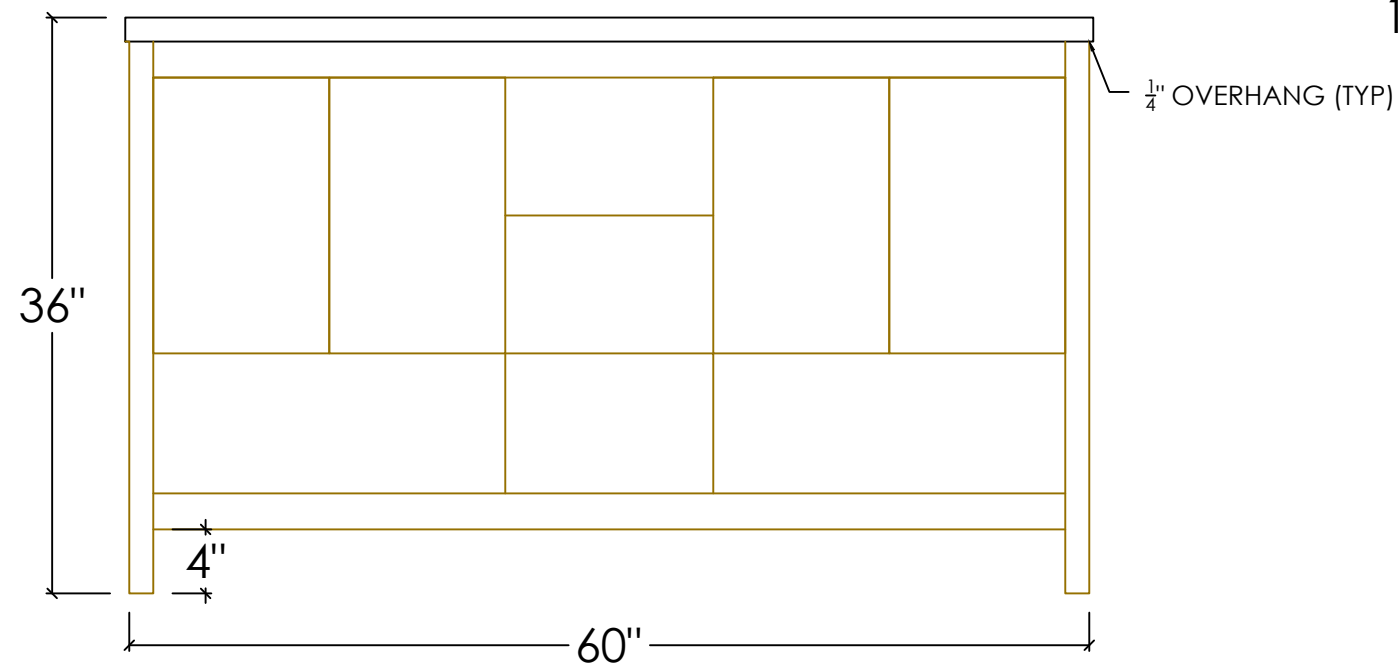
**STANDARD FAUCET & SOAP HOLE CONFIGURATIONS (CUSTOMIZABLE):**

- 0 HOLES - WALL-MOUNT FAUCET
- 1 SINGLE FAUCET HOLE OR TRIPLE HOLE SET CENTERED ON SINK BASIN
- TRIPLE HOLE SET = 8" SPREAD
- HOLE DIAMETER = 1 3/8"
- HOLE(S) CENTERED 2 1/4" OFF OF BACK OF SINK BASIN

PLAN VIEW



FRONT ELEVATION



RIGHT SECTION

