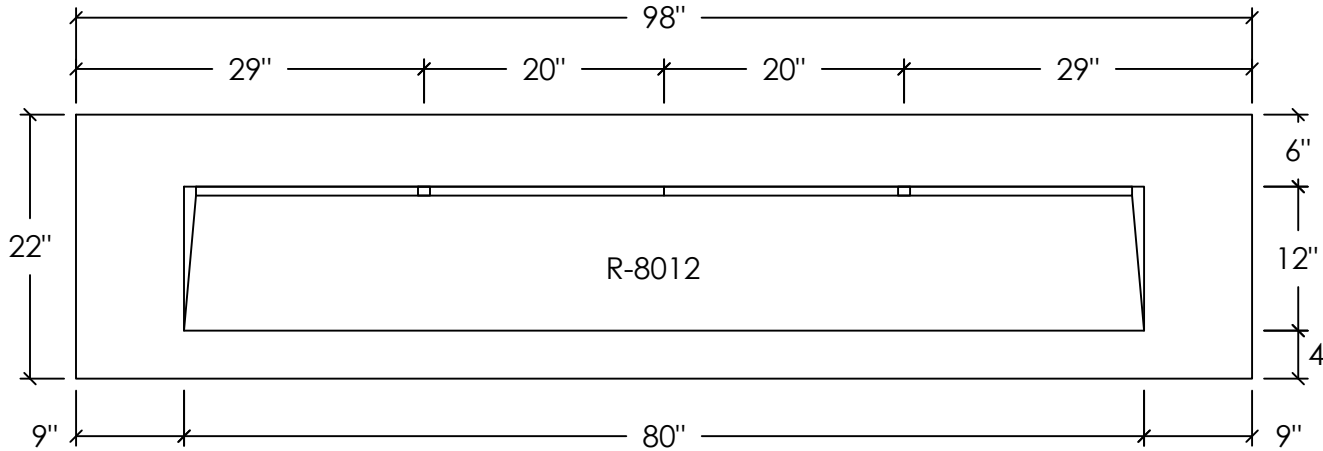


PLAN VIEW



SPECIFICATIONS

SINK BASIN:

- SINK MODEL #: R-8012 = 80" x 12" x 5"
- COMPLIANCE & CERTIFICATIONS:



CSA B45.8/IAPMO Z403
ASME A112.18.2/CSA B125.2
R-SL-3-2-98x22-(C)-(O)

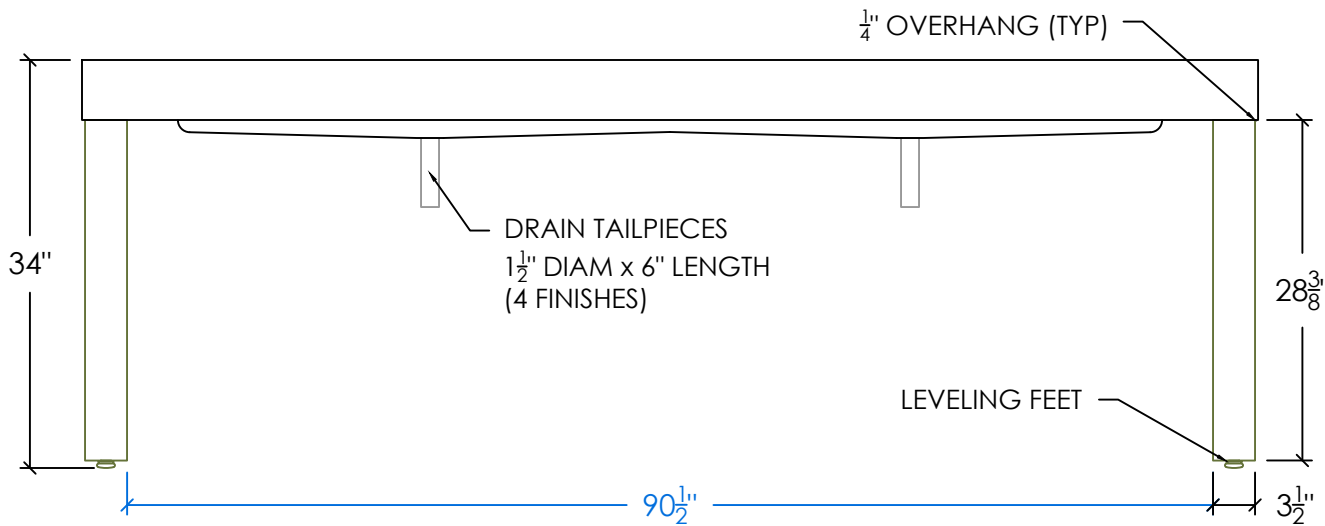


ICC A117.1

STANDARD FAUCET & SOAP HOLE CONFIGURATIONS (CUSTOMIZABLE):

- 0 HOLES - WALL-MOUNT FAUCET
- 3 SINGLE FAUCET HOLES OR TRIPLE HOLE SETS 30" APART (OUTSIDE FAUCET SPOUTS 10" IN FROM SINK BASIN WALLS)
- SOAP HOLE 5" MINIMUM TO LEFT OR RIGHT OF FAUCET HOLE
- TRIPLE HOLE SET = 8" SPREAD
- HOLE DIAMETER = 1 3/8"
- HOLE(S) CENTERED 2 1/4" OFF OF BACK OF SINK BASIN

FRONT ELEVATION



RIGHT SECTION

