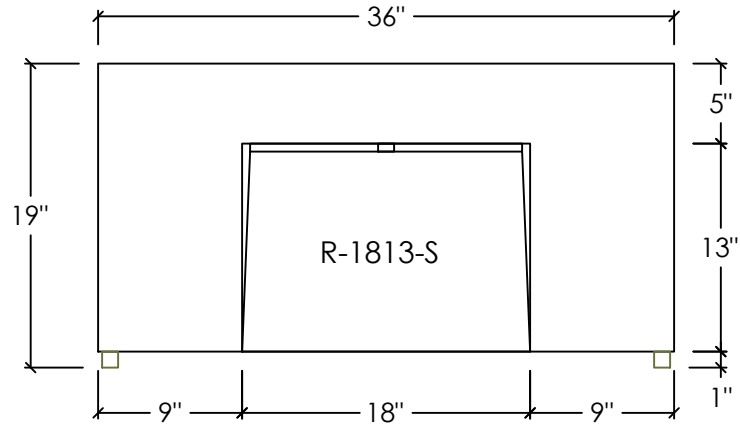


PLAN VIEW



SPECIFICATIONS

SINK BASIN:

- SINK MODEL #: R-1813-S = 18" x 13" x 3"
- COMPLIANCE & CERTIFICATIONS:

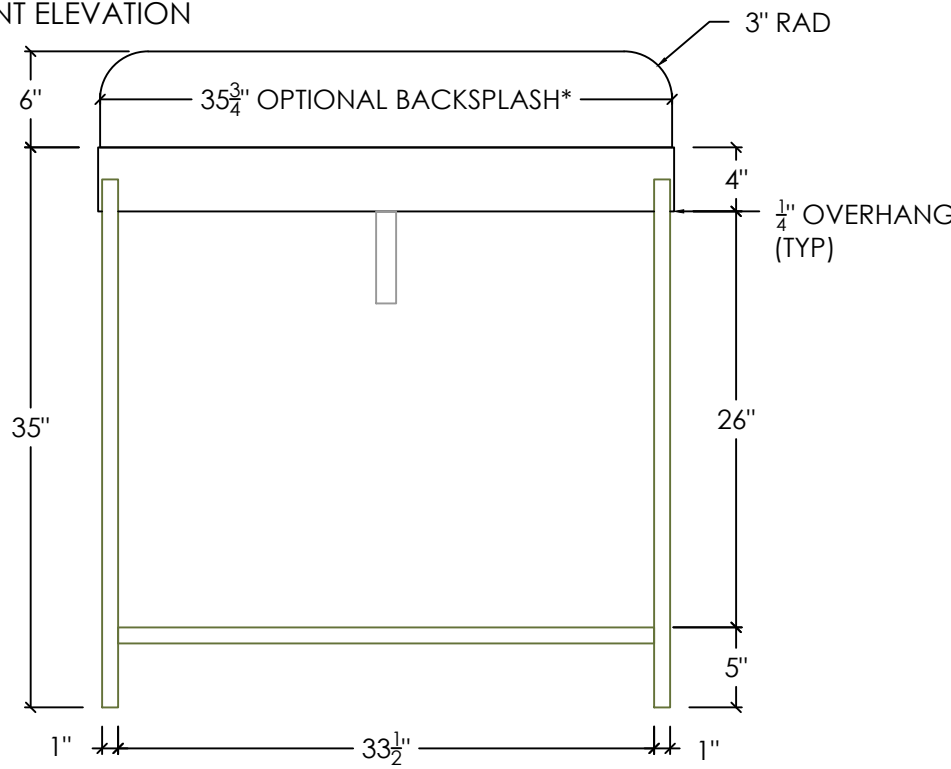


CSA B45.8/IAPMO Z403
ASME A112.18.2/CSA B125.2

STANDARD FAUCET & SOAP HOLE CONFIGURATIONS (CUSTOMIZABLE):

- 0 HOLES - WALL-MOUNT FAUCET
- 1 SINGLE FAUCET HOLE OR TRIPLE HOLE SET CENTERED ON SINK BASIN
- SOAP HOLE 5" MINIMUM TO LEFT OR RIGHT OF FAUCET HOLE
- TRIPLE HOLE SET = 8" SPREAD
- HOLE DIAMETER = 1 3/8"
- HOLE(S) CENTERED 2 1/4" OFF OF BACK OF SINK BASIN
- * CONTACT SALES (973-343-5233) FOR BACKSPLASH FAUCET INFO

FRONT ELEVATION



3/4" OPTIONAL BACKSPLASH

SECTION VIEW

